



Crazy2Fly Assembly Guide



Revision 1.0 : December 4, 2013

Crazy2Fly

The Lynxmotion Crazy2Fly multi-rotor UAV is a small, high performance quadcopter. The Crazy2Fly can be flown in either '+' or 'x' configurations. Don't let its simplicity and low cost fool you though - the Crazy2Fly lives by its name, and is capable of high speed aerial acrobatics and is a thrill to fly.

G10 Parts

- 4x Crazy2Fly Top Arm Plate
- 4x Crazy2Fly Bottom Arm Plate
- 1x Crazy2Fly Top Center Plate
- 1x Crazy2Fly Bottom Center Plate
- 1x Crazy2Fly Top Protection Plate
- 1x Crazy2Fly Landing Plate
- 8x Crazy2Fly Arm Supports

Hardware

- 20x 4-40 x 0.5" hex standoffs
- 8x 4-40 x 1.5" hex standoffs
- 4x 4-40 x 0.25" hex standoffs
- 56x 4-40 x 1/4" socket head cap screws
- 8x 4-40 x 3/16" socket head cap screws

Note: hardware type / quantity may change slightly depending on availability.

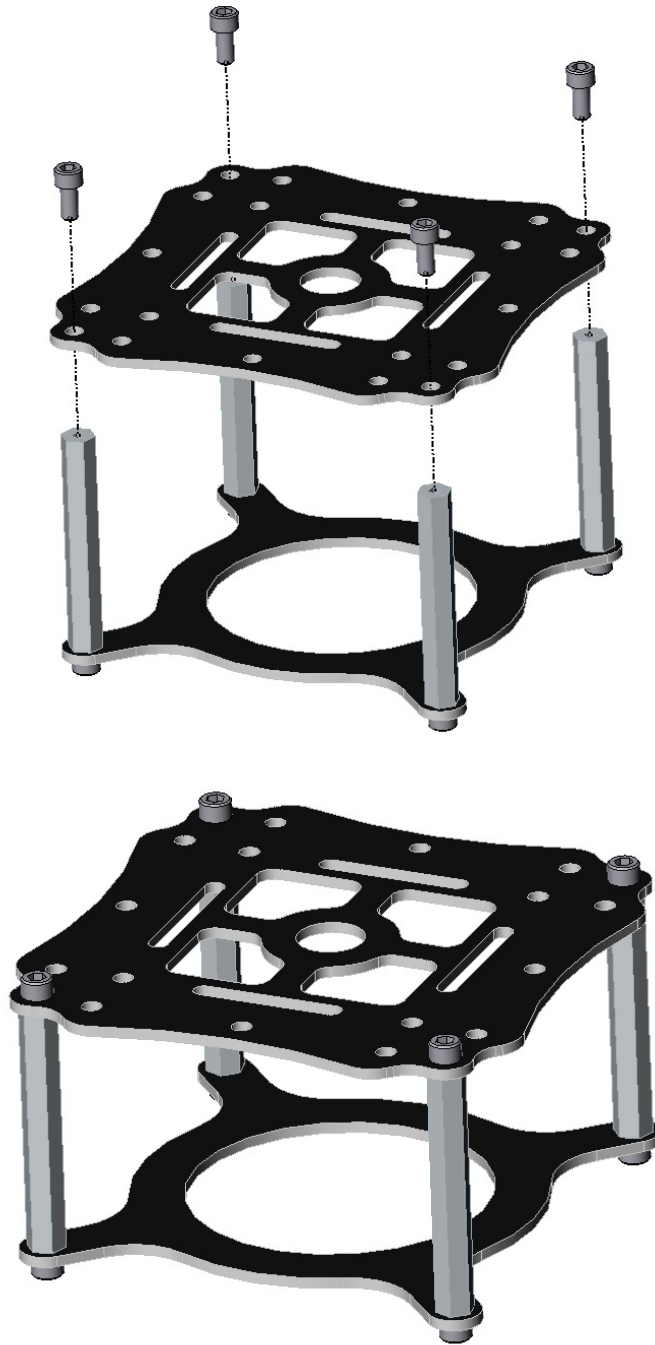
Landing Gear Sub-Assembly

- 1x Landing Plate
- 4x 4-40 x 1/4" Socket Head Cap Screws
- 4x 4-40 x 1.5" Hex Standoffs



Landing Gear

- 1x Landing Gear Sub-Assembly
- 1x Bottom Center Plate
- 4x 4-40 x 1/4" Socket Head Cap Screws



Note: This is the best time to add the battery strap to the plate.

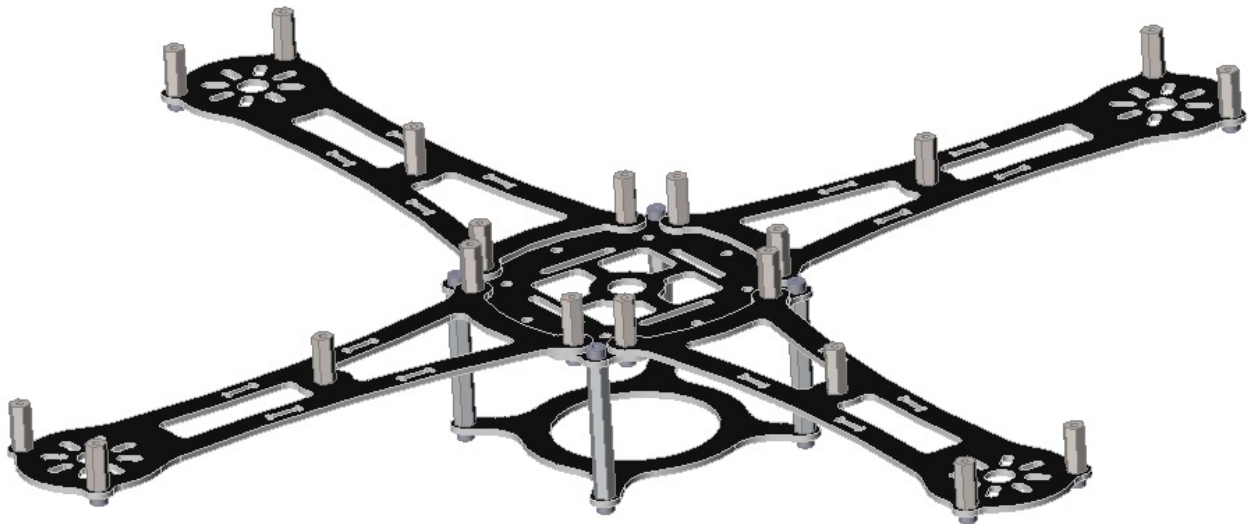
Arm Sub-Assembly (Build 3x)

- 1x Bottom Arm Plate
- 3x 4-40 x 1/4" Socket Head Cap Screws
- 3x 4-40 x 0.5" Hex Standoffs



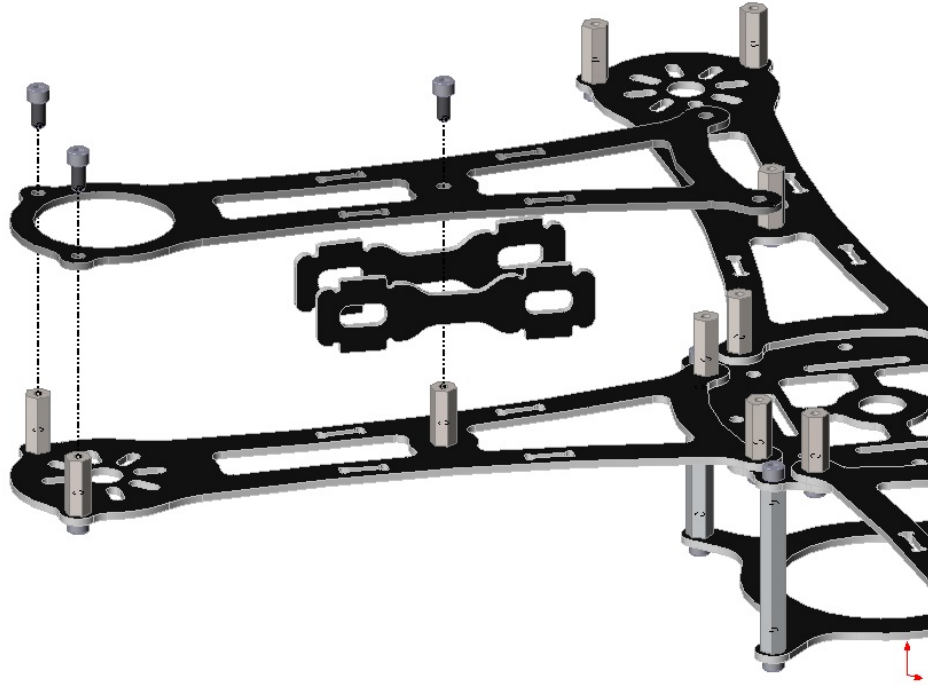
Body Sub-Assembly

- 4x Arm Sub-Assemblies
- 1x Landing Gear Sub-Assembly
- 8x 4-40 x 1/4" Socket Head Cap Screws
- 8x 4-40 x 1.5" Hex Standoffs



Arm Sub-Assembly (Repeat 4x)

- 3x 4-40 x 1/4" Socket Head Cap Screw
- 1x Top Arm Plate
- 2x Arm Supports

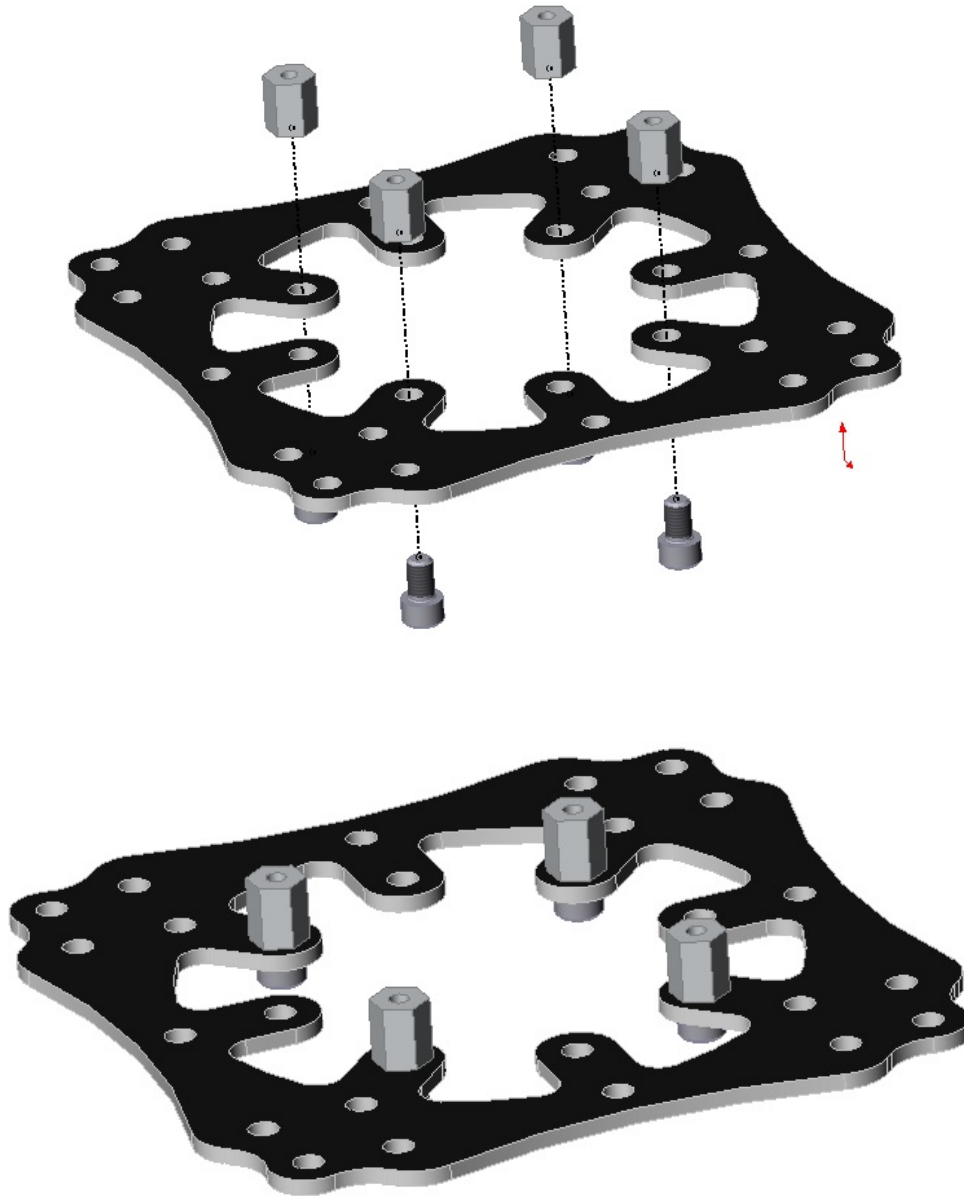




Note: If you are using a power distribution cable or power distribution board, you can insert it into the center of the drone at this step.

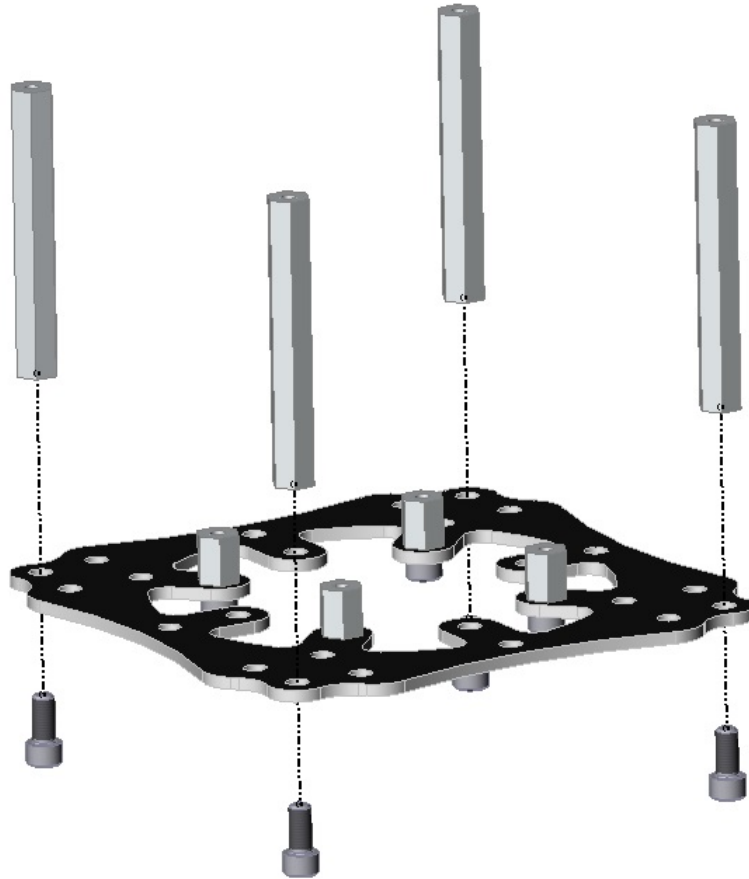
Top Center Plate Sub-Assembly

- 4x 4-40 x 3/16" Socket Head Cap Screw
- 1x Top Center Plate
- 4x 4-40 x 1/4" Hex Standoff



Note: you can add the electronics (for example a MultiWii controller) at this stage using 4x 4-40 x 3/16" Socket Head Cap Screws.

- 4x 4-40 x 1/4" Socket Head Cap Screw
- 1x Electronics Plate Sub-Assembly
- 4x 4-40 x 1.5" Hex Standoff





Body Assembly

- 8x 4-40 x 1/4" Socket Head Cap Screw
- 1x Top Center Plate Sub-Assembly



Final Assembly

- 4x 4-40 x 1/4" Socket Head Cap Screw
- 1x Top Protect Plate

