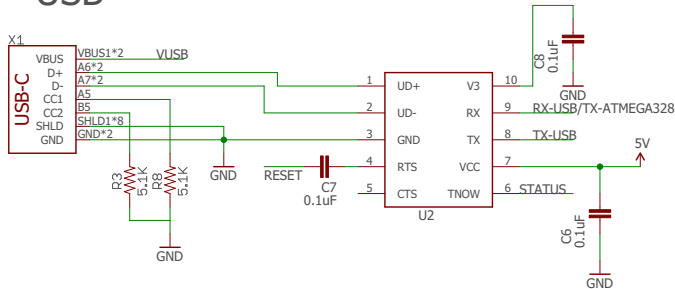
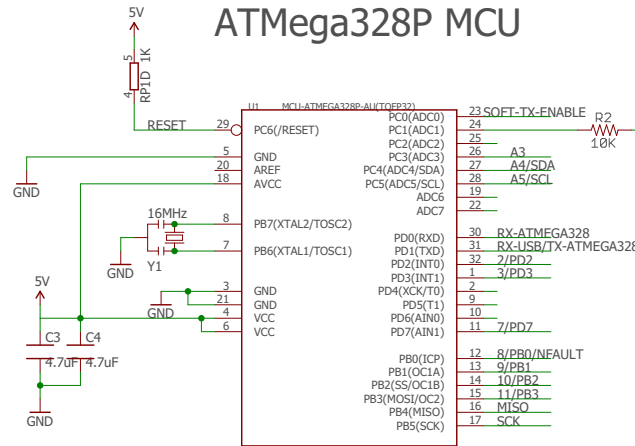




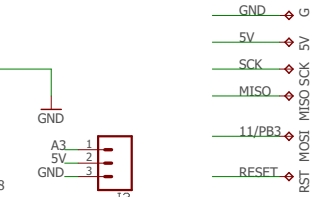
USB



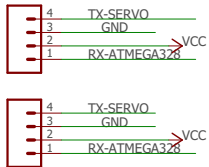
ATmega328P MCU



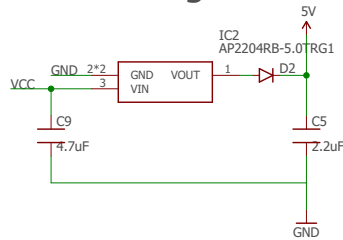
ICSP Programming Pads



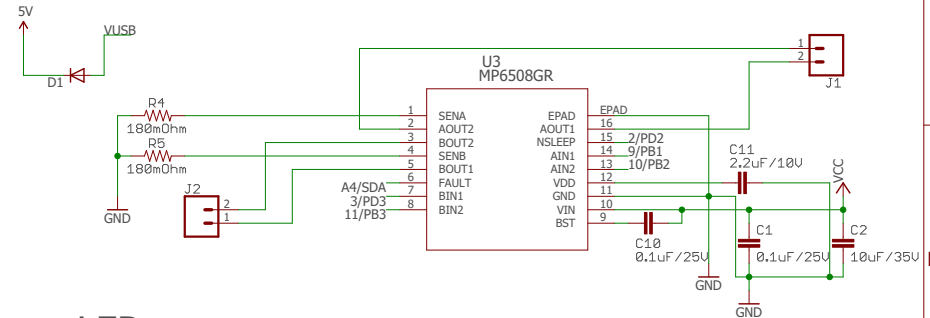
LSS Connectors



5V MCU Regulator

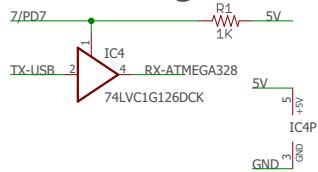


5V Auto Selector

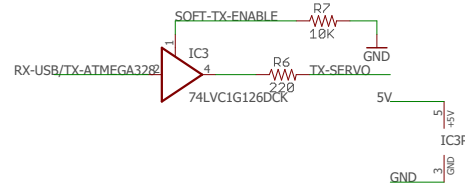


MP6508GR-P Motor Controller

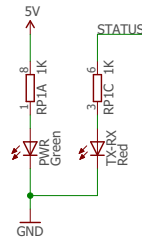
USB/ATmega Buffer



2RC Tx Buffer



LEDs



LSS to Motor Controller Board	LSS 2MC Board
	Designer: BD
	4/25/2022 9:01 PM
	Sheet: 1/1