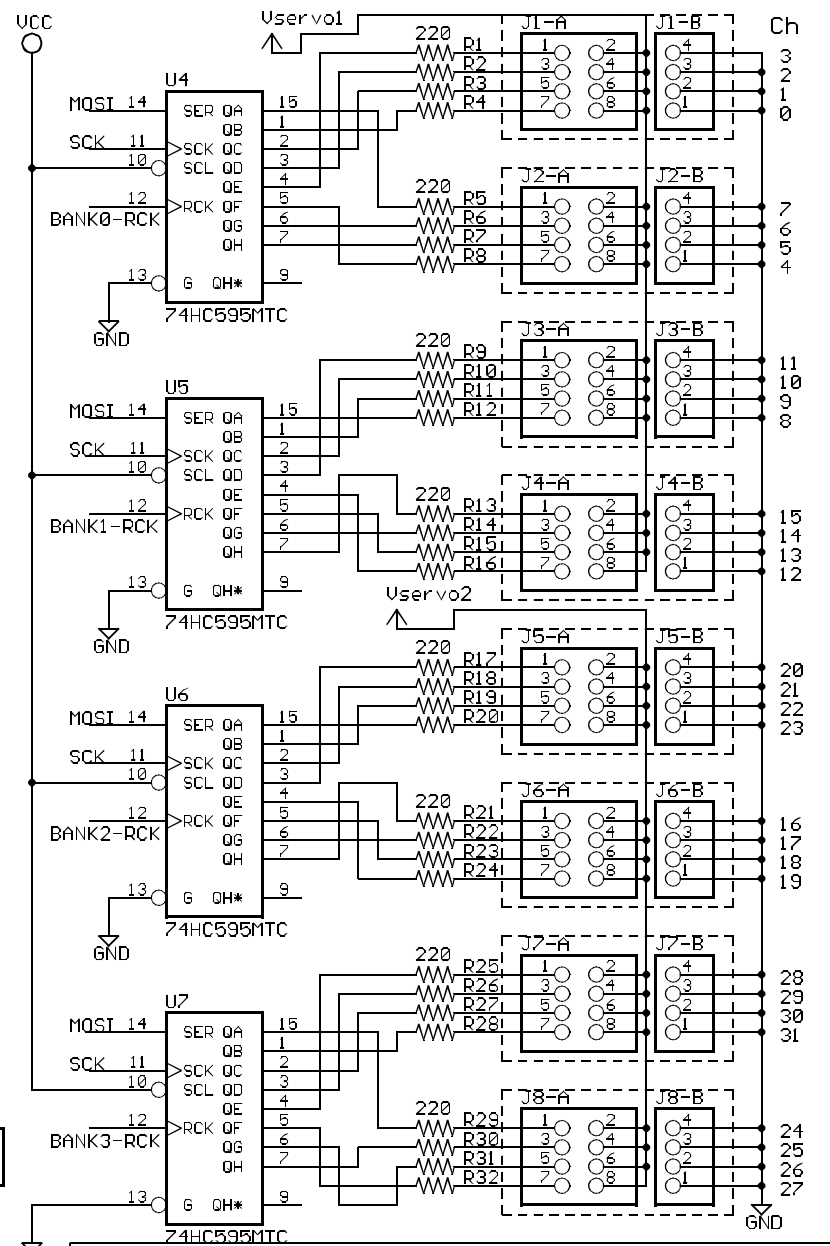
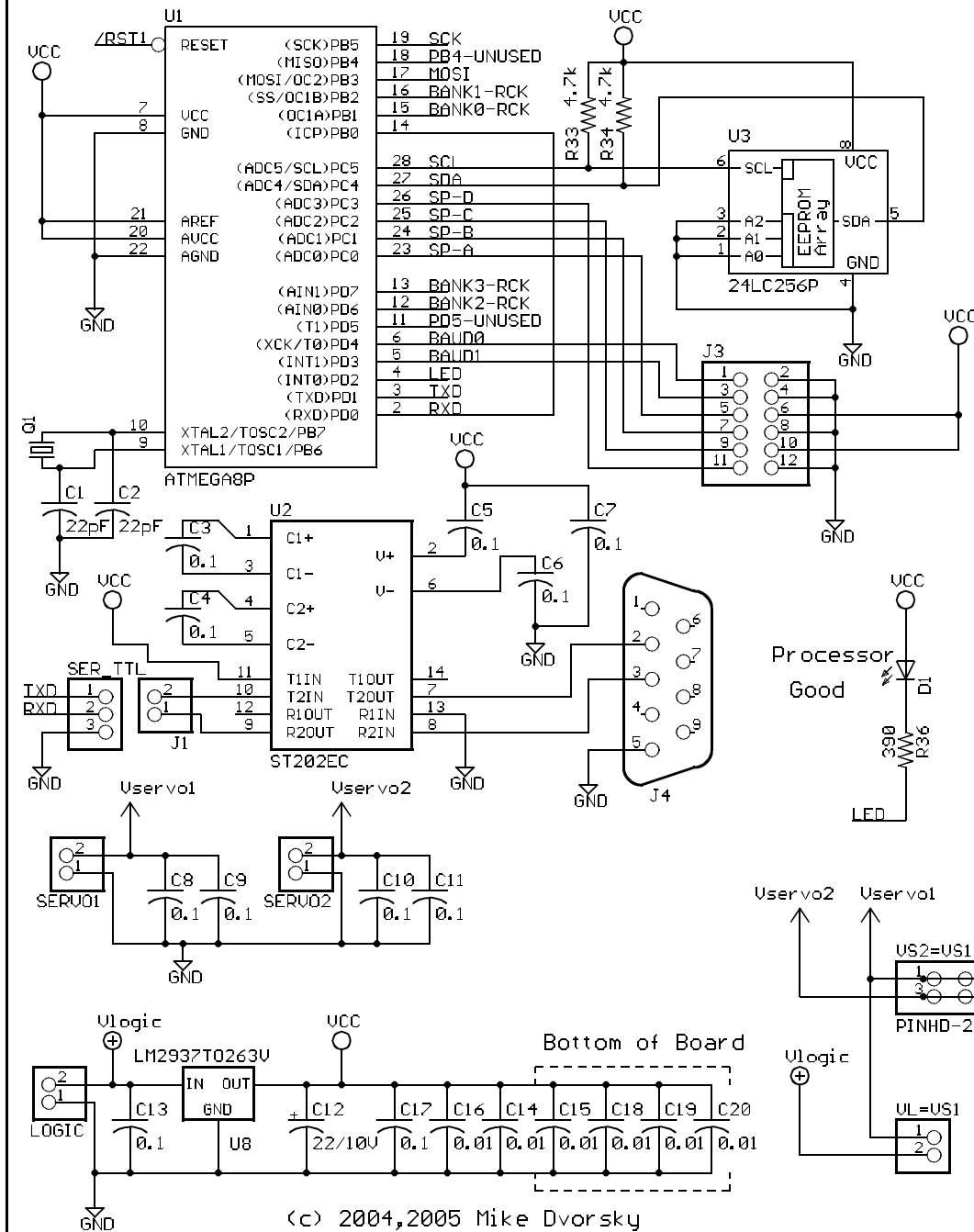


Note: RESET is pulled up internal to ATMEGA8P



SSC-32

File: SSC-32	
Designer: Mike Dvorsky	Rev: 1.01
Date: 4/12/2005 01:04:44p	Sheet: 1/1