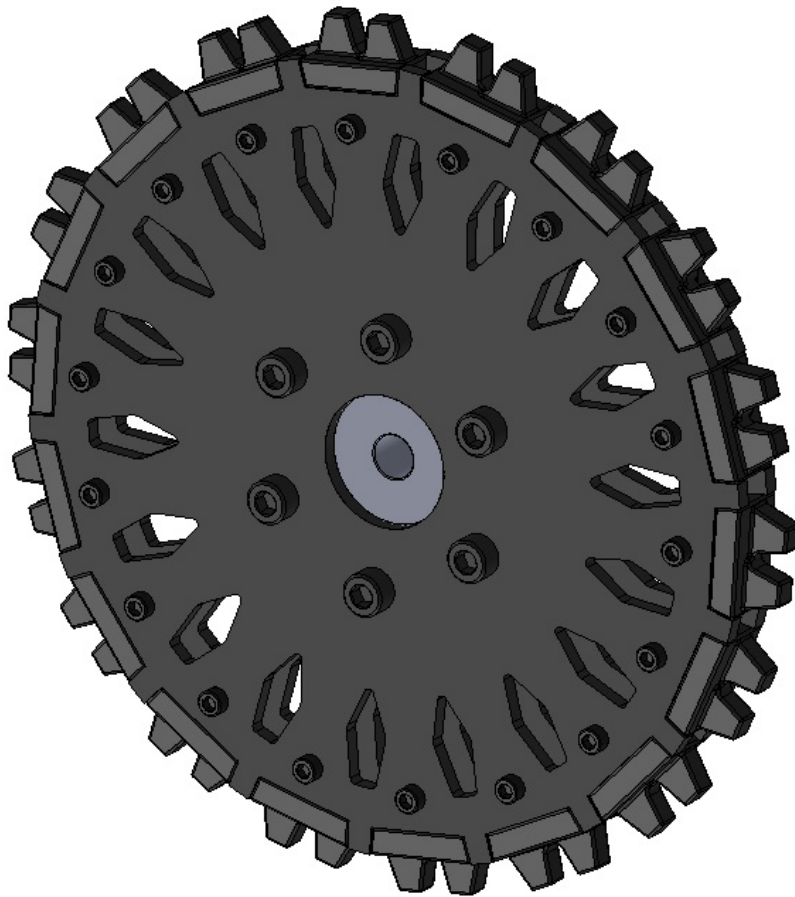




MTS Sprocket: 18T, Large Hub

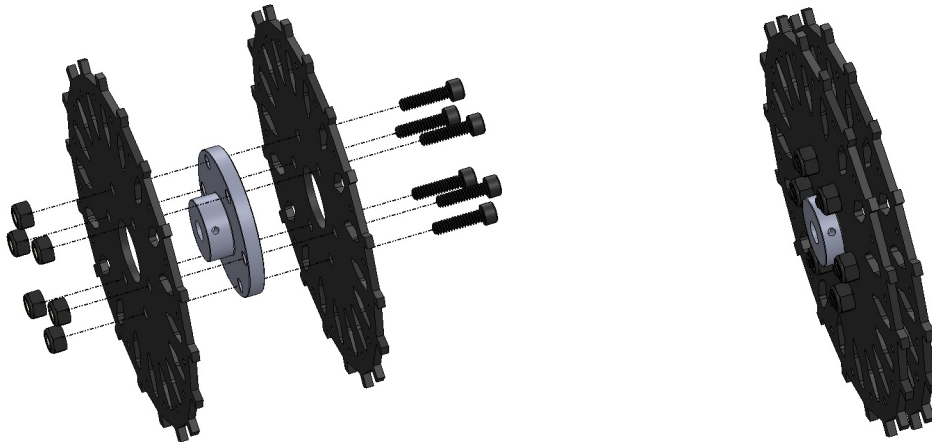


Assembly Guide (RB-Lyn-920)




V1.0 August 2016

STEP 1: Connect hub and sprocket walls

			
1x	2x RB-Lyn-906	6xRB-Mcm-59	6x RB-Mcm-60
Large Hub	18T-Lexan-L	10-24x3/4" SHCH	10-24x3/8" LN



STEP 2: Attach teeth

		
18x RB-Skj-01	18x RB-TeX-20	18x RB-TeX-12
MTS Tooth	4-40x5/8" SHCS	4-40x1/4" LN

